



Oxford Cambridge and RSA

A Level Physics A

H556/03 Unified physics

Thursday 29 June 2017 – Morning

Time allowed: 1 hour 30 minutes



You must have:

- The Data, Formulae and Relationship Booklet (sent with general stationery)

You may use:

- a scientific calculator
- a ruler (cm/mm)



First name										
Last name										
Centre number						Candidate number				

INSTRUCTIONS

- Use black ink. You may use an HB pencil for graphs and diagrams.
- Complete the boxes above with your name, centre number and candidate number.
- Answer **all** the questions.
- Write your answer to each question in the space provided. If additional space is required, use the lined page(s) at the end of this booklet. The question number(s) must be clearly shown.
- Do **not** write in the barcodes.

INFORMATION

- The total mark for this paper is **70**.
- The marks for each question are shown in brackets [].
- Quality of extended responses will be assessed in questions marked with an asterisk (*).
- This document consists of **20** pages.

2

Answer **all** the questions

1 A stationary uranium-238 nucleus (${}^{238}_{92}\text{U}$) decays into a nucleus of thorium-234 by emitting an alpha-particle.

(a) The chemical symbol for thorium is Th. Write a nuclear equation for this decay.

[2]

(b) The mass of the uranium nucleus is 4.0×10^{-25} kg. After the decay the thorium nucleus has a speed of 2.4×10^5 m s⁻¹.

Calculate the kinetic energy, in MeV, of the alpha-particle.

kinetic energy = MeV [4]

(c) The uranium-238 (${}^{238}_{92}\text{U}$) nucleus starts the decay chain which ends with a nucleus of lead-206 (${}^{206}_{82}\text{Pb}$).

Show that 14 particles are emitted during this decay chain. Explain your reasoning.

[3]

- 2 A small thin rectangular slice of semiconducting material has width a and thickness b and carries a current I . The current is due to the movement of electrons. Each electron has charge $-e$ and mean drift velocity v . A uniform magnetic field of flux density B is perpendicular to the direction of the current and the top face of the slice as shown in Fig. 2.1.

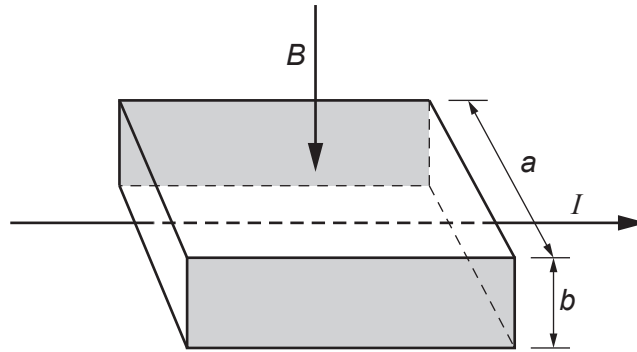


Fig. 2.1

- (a) As soon as the current is switched on, the moving electrons in the current are forced towards the shaded rear face of the slice where they are stored. This causes the shaded faces to act like charged parallel plates. Each electron in the current now experiences both electric and magnetic forces. The resultant force on each electron is now zero.

Write the expressions for the electric and magnetic forces acting on each electron and use these to show that the magnitude of the potential difference V between the shaded faces is given by

$$V = Bva.$$

[3]

(b) Here are some data for the slice in a particular experiment.

number of conducting electrons per cubic metre, $n = 1.2 \times 10^{23} \text{ m}^{-3}$

$a = 5.0 \text{ mm}$

$b = 0.20 \text{ mm}$

$I = 60 \text{ mA}$

$B = 0.080 \text{ T}$

Use this data to calculate

(i) the mean drift velocity v of electrons within the semiconductor

$v = \dots\dots\dots \text{ ms}^{-1}$ [3]

(ii) the potential difference V between the shaded faces of the slice.

$V = \dots\dots\dots \text{ V}$ [1]

- (c) The slice is mounted and used as a measuring instrument called a Hall probe. A cell is connected to provide the current in the slice. The potential difference across the slice is measured by a separate voltmeter.

A student wants to measure the magnetic flux density between the poles of two magnets mounted on a steel yoke as shown in Fig. 2.2. The magnitude of the flux density is between 0.02 T and 0.04 T.

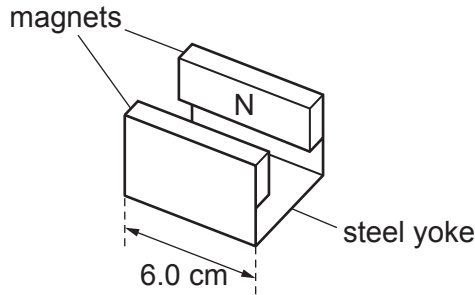


Fig. 2.2

- (i) Suggest **one** reason why this Hall probe is **not** a suitable instrument to measure the magnetic flux density for the arrangement shown in Fig. 2.2.

.....

 [1]

- (ii) Another method of measuring the magnetic flux density for the arrangement shown in Fig. 2.2 is to insert a current-carrying wire between the poles of the magnet. Explain how the magnetic flux density can be determined using this method and discuss which measurement in the experiment leads to the greatest uncertainty in the value for the magnetic flux density.

.....

 [4]

- 3 A student is investigating how the discharge of a capacitor through a resistor depends on the resistance of the resistor.

The equipment is set up as shown in Fig. 3.1.

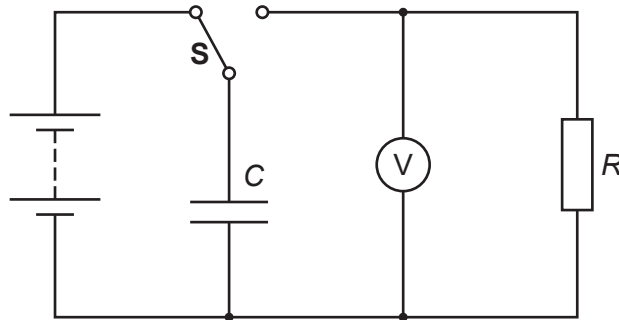


Fig. 3.1

The student charges the capacitor of capacitance C and then discharges it through a resistor of resistance R using switch S . After a time $t = 15.0\text{ s}$ the student records the potential difference V across the capacitor. The student repeats this procedure for different values of R .

It is suggested that V and R are related by the equation

$$V = V_0 e^{-\frac{t}{CR}}$$

where V_0 is the initial potential difference across the capacitor and t is the time over which the capacitor has discharged.

- (a) The student decides to plot a graph of $\ln(V/V_0)$ on the y -axis against $\frac{1}{R}$ on the x -axis to obtain a straight line graph. Show that the magnitude of the gradient is equal to $\frac{15}{C}$.

[2]

- (b) Values of R and V at $t = 15.0\text{ s}$ are given in the table below.

$R/\text{k}\Omega$	V/V	$\left(\frac{1}{R}\right)/10^{-6}\ \Omega^{-1}$	$\ln(V/V_0)$
56	3.0 ± 0.2	18	
68	3.7 ± 0.2	15	1.31 ± 0.06
100	5.0 ± 0.2	10	1.61 ± 0.04
150	6.4 ± 0.2	6.7	1.86 ± 0.03
220	7.3 ± 0.2	4.5	1.99 ± 0.03
330	8.1 ± 0.2	3.0	2.09 ± 0.03

- (i) Complete the missing value of $\ln(V/V_0)$ and its absolute uncertainty in the table above.

[1]

- (ii) Use the data to complete the graph of Fig. 3.2. Four of the six points have been plotted for you. [2]

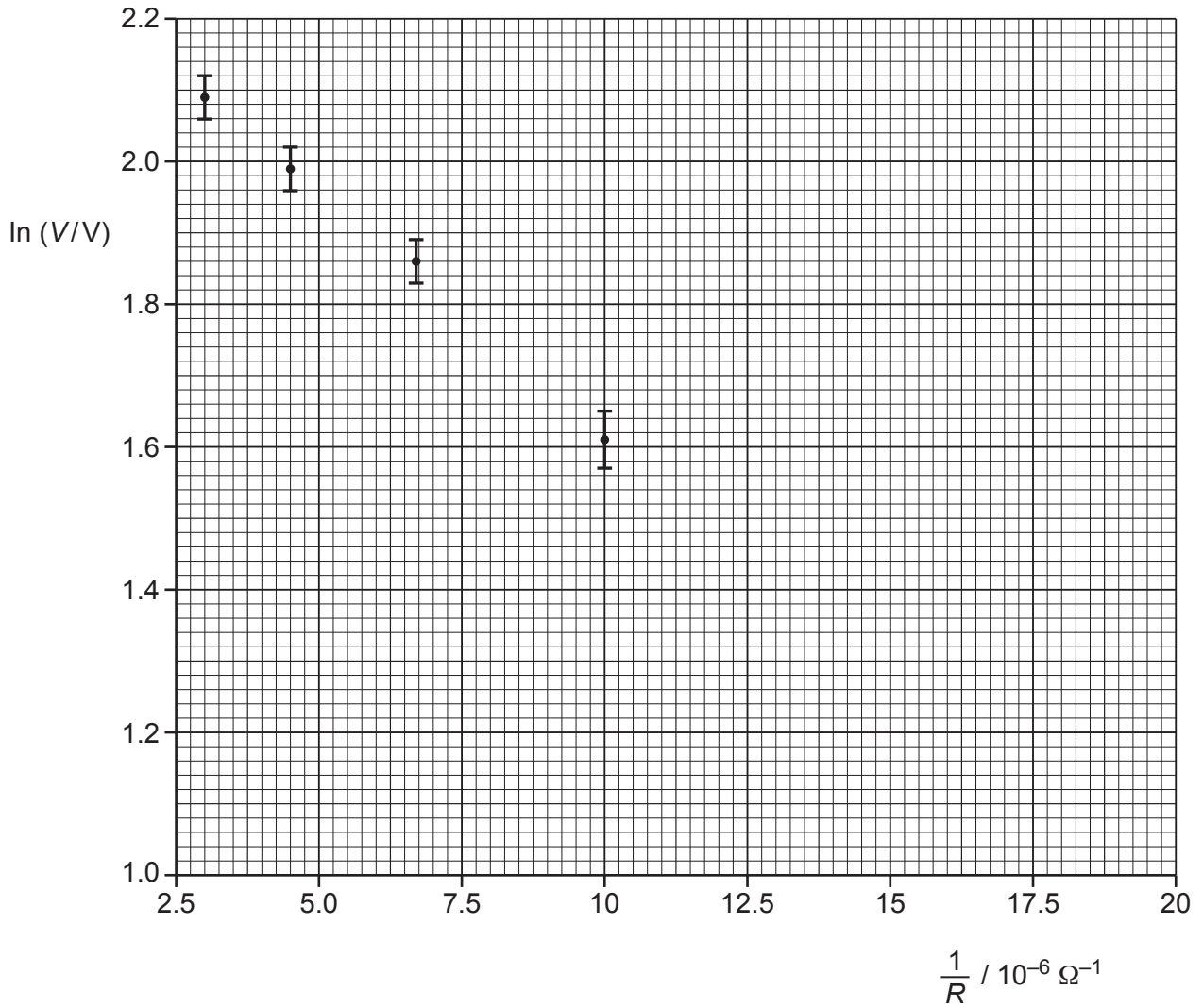


Fig. 3.2

- (iii) Use the graph to determine a value for C . Include the absolute uncertainty and an appropriate unit in your answer.

$C = \dots \pm \dots$ unit \dots [4]

- (c) Determine the value of R , in $\text{k}\Omega$, for which the capacitor discharges to 10% of its original potential difference in 15.0s. Show your working.

$R = \dots\dots\dots \text{k}\Omega$ [2]

9
BLANK PAGE

Question 4 begins on page 10.

- 4 (a)* You are given an unmarked sealed square box which has four identical terminals at each corner.

Fig 4.1 shows the circuit diagram for the contents of the box with the four terminals labelled **A**, **B**, **C** and **D**.

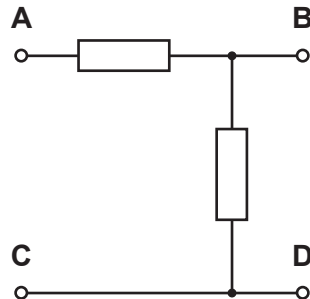


Fig. 4.1

One of the resistors in the box has resistance 220Ω . The other resistor has resistance 470Ω . Two of the terminals are connected by a wire.

The four terminals on your unmarked sealed box are **not** labelled.

You are given a 6.0V d.c. supply, a 100Ω resistor (labelled R) and a digital ammeter.

Plan an experiment to determine the arrangement of the components and identify which terminal of your unmarked sealed box is **A**, **B**, **C** and **D**.

A space has been left for you to draw circuit diagrams to illustrate your answer.

(b) A light-dependent resistor (LDR) is connected between points **X** and **Y** in the circuit of Fig. 4.2. The circuit is used to switch on a lamp during the hours of darkness.

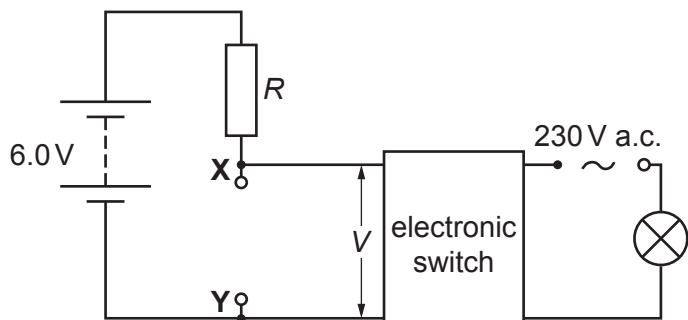


Fig. 4.2

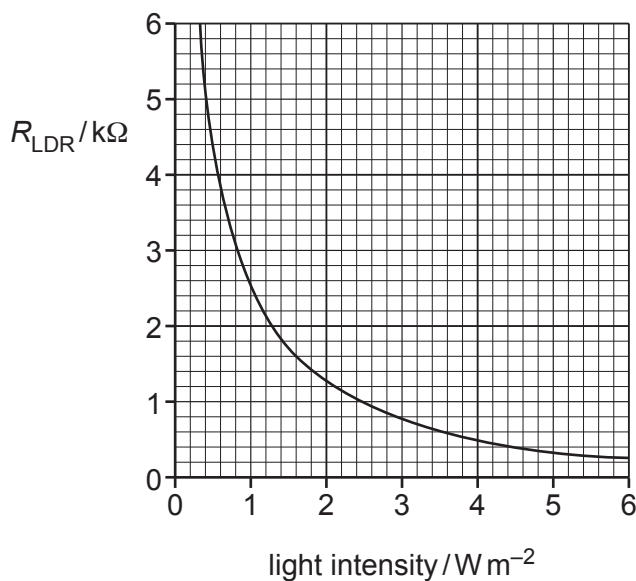


Fig. 4.3

- (i) Draw the symbol for an LDR on Fig. 4.2 between **X** and **Y**. [1]
- (ii) Fig. 4.3 shows how the resistance of the LDR varies with light intensity. The electronic switch closes when V across **XY** is 4.0V and opens when V across **XY** is 2.4V. The electronic switch draws a negligible current.

Calculate

1 the resistance R of the resistor for the lamp to switch on at a light intensity of $0.80 W m^{-2}$

$R = \dots\dots\dots \Omega$ [3]

2 the light intensity of the surroundings at which the lamp switches off.

light intensity = $\dots\dots\dots W m^{-2}$ [2]

13
BLANK PAGE

Question 5 begins on page 14.

- 5 (a) A loudspeaker mounted on a bench is emitting sound of frequency 1.7 kHz to a microphone. Fig. 5.1 shows an illustration of the bulk movement of the air at one instant of time.



Fig. 5.1

The maximum displacement of the air particles from their mean positions is 2.0×10^{-6} m.

The speed of sound in air at 17°C is 340 m s^{-1} .

- (i) On Fig. 5.2, sketch the sinusoidal variation of the displacement of the air with distance between C and R.

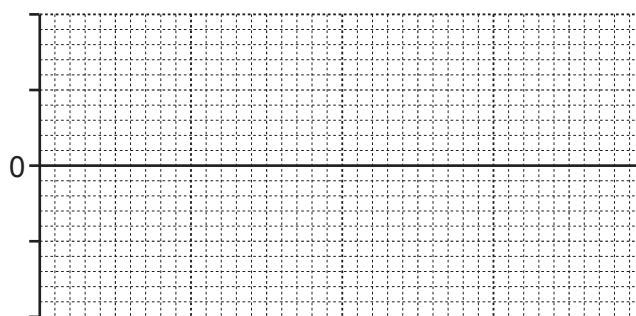


Fig. 5.2

- 1 Label the axes and include sensible scales.
- 2 On Fig. 5.2, mark one point where air particles are moving at maximum speed. Label it X.
- 3 On Fig. 5.2, mark one point where air particles are moving at maximum speed but travelling in the opposite direction to the air particles in 2. Label it Y.

[4]

- (ii) Calculate

- 1 the maximum speed v_{max} of the oscillating particles in the sound wave

$$v_{\text{max}} = \dots \text{ms}^{-1} \quad [2]$$

- 2 the root mean square speed $c_{\text{r.m.s.}}$ of the air molecules in the room.
The molar mass of air is $2.9 \times 10^{-2} \text{ kg mol}^{-1}$.

$$c_{\text{r.m.s.}} = \dots \text{ms}^{-1} \quad [2]$$

17
BLANK PAGE

Question 6 begins on page 18.

- 6 This question is about the motion of a ball suspended by an elastic string above a bench. The mass of the string is negligible compared to that of the ball. Ignore air resistance.



Fig. 6.1

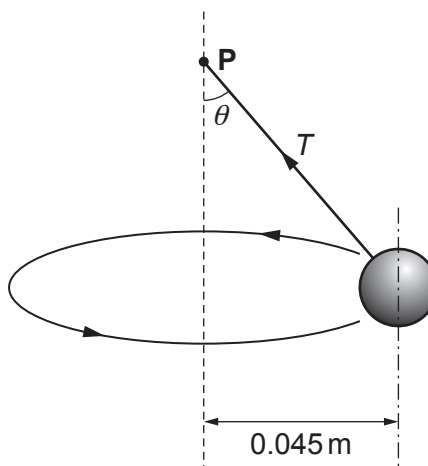


Fig. 6.2 (not to scale)

In Fig. 6.1 the ball of weight 1.2N hangs vertically at rest from a point **P**. The extension of the string is 0.050m. The string obeys Hooke's law.

In Fig. 6.2 the ball is moving in a horizontal circle of radius 0.045m around a vertical axis through **P** with a period of 0.67s. The string is at an angle θ to the vertical. The tension in the string is T .

- (a) On Fig. 6.2 draw and label one other force acting on the ball. [1]
- (b) (i) Resolve the tension T horizontally and vertically and show that the angle θ is 22° .

[2]

- (ii) Calculate the extension x of the string shown in Fig. 6.2.

$x = \dots\dots\dots$ m [3]

- (c) Whilst rotating in the horizontal plane the ball suddenly becomes detached from the string. The bottom of the ball is 0.18 m above the bench at this instant. The ball falls as a projectile towards the bench beneath. Fig. 6.3 shows the view from above.

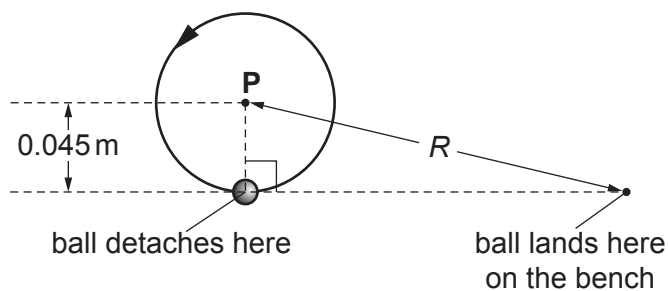


Fig. 6.3

Calculate the horizontal distance R from the point on the bench vertically below the point P to the point where the ball lands on the bench.

$R = \dots\dots\dots$ m [4]

- (d) Returning to the situation shown in Fig. 6.2, state and explain what happens when the rate of rotation of the ball is increased.

.....

.....

.....

..... [2]

END OF QUESTION PAPER

ADDITIONAL ANSWER SPACE

If additional space is required, you should use the following lined page(s). The question number(s) must be clearly shown in the margin(s).

A large rectangular area with a solid vertical line on the left side and horizontal dotted lines across the rest of the page, providing space for writing answers.



Copyright Information

OCR is committed to seeking permission to reproduce all third-party content that it uses in its assessment materials. OCR has attempted to identify and contact all copyright holders whose work is used in this paper. To avoid the issue of disclosure of answer-related information to candidates, all copyright acknowledgements are reproduced in the OCR Copyright Acknowledgements Booklet. This is produced for each series of examinations and is freely available to download from our public website (www.ocr.org.uk) after the live examination series.

If OCR has unwittingly failed to correctly acknowledge or clear any third-party content in this assessment material, OCR will be happy to correct its mistake at the earliest possible opportunity.

For queries or further information please contact the Copyright Team, First Floor, 9 Hills Road, Cambridge CB2 1GE.

OCR is part of the Cambridge Assessment Group; Cambridge Assessment is the brand name of University of Cambridge Local Examinations Syndicate (UCLES), which is itself a department of the University of Cambridge.